

GORTITE® ROLL-UP DOORS | FEATURES AND BENEFITS

SAFE AND SECURE ACCESS FOR YOUR EQUIPMENT COMPARTMENTS



For Fire and Emergency Vehicles



For Work Trucks and Service Vehicles



For Trailers and Compartments

Increased Safety

- Keeps personnel safe by allowing them to remain closer to the vehicle
- Eliminates damage associated with swing-out doors

Security

- Constructed of strong, double-sided aluminum extrusions
- Manual and powered lock options available to keep your items secure

Attractive Appearance

- Smooth, satin anodized aluminum finish
- Available in custom painted finishes to precisely match your vehicle

Maximum Use of Compartment Space

- 3-inch diameter take-up roller minimizes header height
- Full view of compartment
- Easy access to equipment

Simple, Smooth Operation

- Fast and easy opening and closing
- Quiet idler roller dampens noise and vibration
- Rib design minimizes equipment hang-ups

Easy Roller Door Installation and Field Replacement

- Quick and easy installation
- Aluminum extrusions are individually replaceable without disassembling the entire door by removing push out clips on each end
- Choose from several one-piece side rail options, with option mounting holes predrilled free of charge

Quality Guaranteed

- Roll-up doors manufactured in the USA
- Stainless steel lift bar

Full Complement of Options and Accessories

- Magnetic door ajar switch allows operator to know instantly if door is not securely closed
- Manual lock, or compact power lock with manual override
- See-through slats
- Inside opening handle
- Bright, efficient LED compartment lighting

Customer Support

- Largest sales rep and technical support network nationwide



GORTITE® ROLL-UP DOORS | DESIGN FEATURES

Maximum Compartment Space

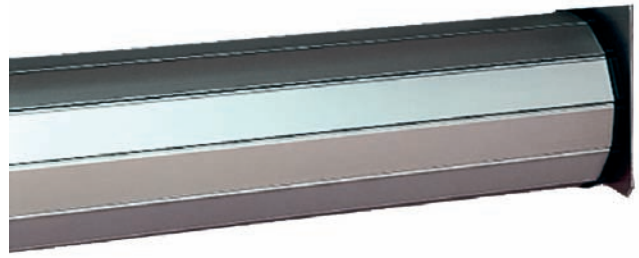
Gortite spring-loaded take-up rollers are only 3" diameter and allow for a small rolled-up diameter and maximum compartment storage.

Easy Lifting, Fast Opening and Closing

Spring-loaded operation makes it easy to open and close the roll-up door.

Dynatect's Exclusive Gortite Roller Warranty

The spring-loaded take-up roller carries a lifetime warranty.



Durable, Strong, Lightweight Design

Slats are made of strong, double-wall of lightweight anodized aluminum, with a weather seal between each slat.



Noise and Vibration Idler Roller

Foam-covered idler roller dampens noise and vibration.

Stainless Steel Lift Bar

With additional bottom clearance for easy grip, roll-up doors withstand force and speed with a sturdy stainless steel lift bar.



Standard



Universal



Recessed



P-Series



R-Series

Side Rail Options

Any of the side rails can be predrilled to your specifications, free of charge. There are five side rail options available to accommodate the structure of your equipment compartment.



Easy to Clean, UV and Extreme Temperature-Resistant Components

All the flexible polymer components such as the wipers and seals are made of Santoprene™. It has a high resistance to UVs and adjusts well to hot and cold extremes. It also cleans easily with mild detergents.

Santoprene™ is a trademark of Exxon Mobil Corporation.

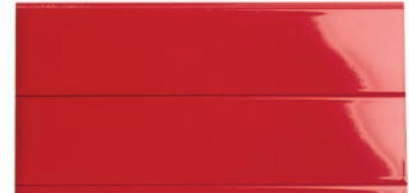
GORTITE® ROLL-UP DOORS | DESIGN FEATURES



Satin Anodized



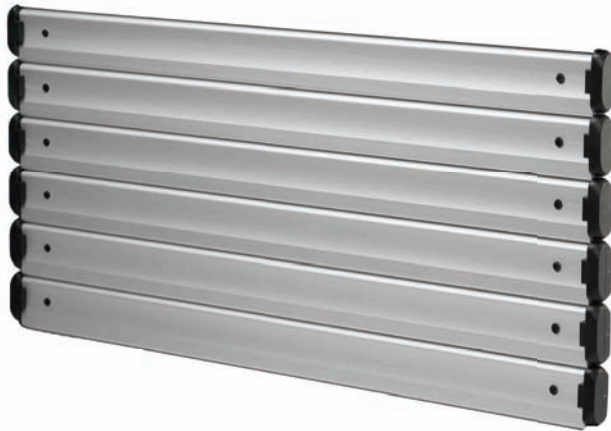
Wet Painted



Wet Painted

High Quality and Custom Painted Finishes

Gortite roll-up doors are made of the highest quality satin anodized finish, with optional paint finish. Basecoat and clearcoat process is used to exactly match your vehicle.



Individual Slat End Caps

Individually replaceable end caps provide easy disassembling, should you ever need to replace a slat.



Superior Paint Process Protects Against Chipping

Gortite's paint process offers customers the ability to precisely match any vehicle color. To prevent paint chipping, the "G-Rib" design increases clearance between the ribs along the front and back edges of the door.



Superior Protection Against Leaking

The "G-Rib" design also has a polyurethane seal that rests up against the following rib creating a weather-tight seal when the door is closed.

GORTITE® ROLL-UP DOORS | OPTIONS AND ACCESSORIES



Manual Key Lock
Choice of standard key codes. Heavy-duty locks available for large doors.



Power Lock
Compact design. Manual override in the event of a power failure.



Magnetic Door Ajar Switch
Allows operator to know instantly if door is not securely closed.



Pull Strap
Ideal for tall doors.



LED Cabinet Lighting
Bright, long-lasting and energy efficient lighting at 30 Lumens per LED. Wide 180° dispersion angle. Water and salt resistant. Meets NFPA 1901 standard.



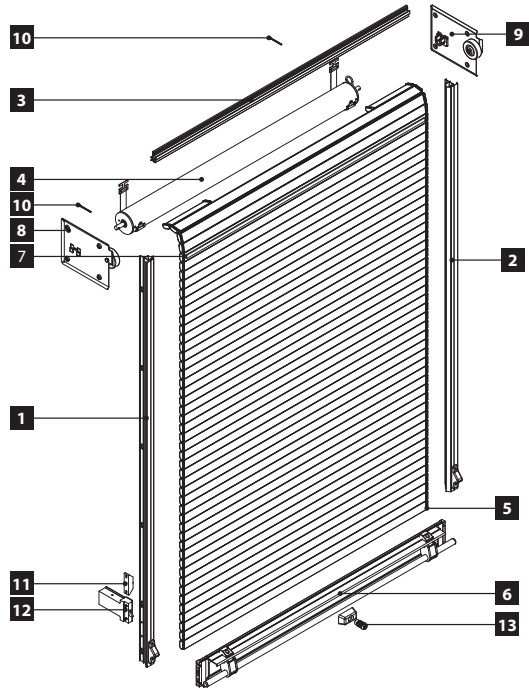
See-Through Slats
Rugged polycarbonate material. Ideal for exterior or interior compartments.



Inside Opening Lift Bar
Simple, easy operation. Exclusive Gortite design.

GORTITE® ROLL-UP DOORS | TECHNICAL INFORMATION

SPECIFICATIONS



DESCRIPTION	QTY.
1 Side Rail, Left	1
2 Side Rail, Right	1
3 Top Rail	1
4 Roller	1
5 Shade	1
6 Handle Assembly	1
7 Door Seal Foam	1
8 Pennant Plate, Left	1
9 Pennant Plate, Right	1
10 Roller Pin	2
11 Door Ajar Switch	1
12 Power Door Lock	1
13 Manual Lock	1

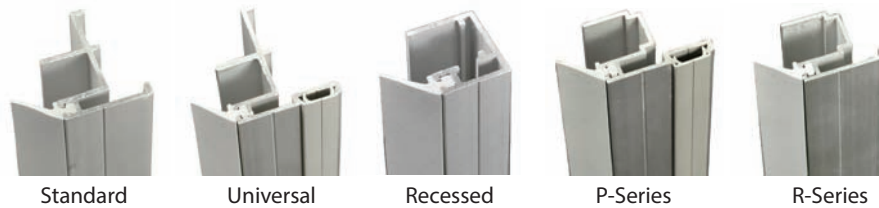
INTERNAL HEIGHT	MINIMUM DEPTH	HEADER HEIGHT	ROLL-UP DIAMETER
up to 25"	10.000	2.500	5.375
26" to 35"	10.500	2.500	6.000
36" to 50"	11.500	2.500	6.000
51" to 60"	11.875	3.875	7.750
61" to 70"	12.375	4.250	8.250
71" to 90"	13.500	5.375	9.375
91" to 104"	14.125	6.500	10.500

Note: Minimum header height is 2.500. Header heights shown can be used to better hide the rolled up door but are not necessarily required.

DOOR OPENING WIDTH	MAXIMUM INTERNAL HEIGHT
18.000	30.000
19.000	40.000
20.000	56.000
21.000	60.00
22-27	90.000
28-32	100.000
33-78	110.000

STANDARD OPTIONS

Side Rail Configuration



Top Drip Rail



Door Finish (Available in Satin Anodized, Wet Painted, or Mill Finish)



Still Plate



GORTITE® ROLL-UP DOORS | HOW TO SPECIFY

So, How Do I Specify Gortite Roll-Up Doors? It's Easy!

- Roll-up doors shall be Gortite brand manufactured by Dynatect Manufacturing, Inc.
- Roll-up doors to be constructed of double-sided aluminum extrusions. The extrusions are to be 1-3/8" wide and 3/8" thick with satin anodized finish or painted to match truck body.
- A flexible extrusion shall be between each slat to insure a weather-tight seal
- Aluminum extrusions shall be individually replaceable without disassembling the entire door by removing push out clips on each end
- Side channels for the door to ride in shall be provided with seals to prevent dirt and moisture from entering compartment. A single piece top drip rail shall be provided with a seal to prevent dirt and moisture from entering the compartment when the door is fully closed. Bottom of door will also be provided with a seal.
- All non-metallic parts to be glass-filled nylon
- Lift bar shall be made of stainless steel
- The door shall be capable of operating in temperatures of -40° F to 180° F
- Optional accessories shall include a magnetic door ajar system, compartment lighting, manual key lock, power lock, sill plate and pull strap for tall doors

Our Exclusive Gortite Roll-Up Door Warranty

Dynatect warrants its Gortite roll-up doors to be free from defects in materials and workmanship for a period of three years from the date of shipment.

The spring-loaded roller carries a lifetime warranty. All parts, with the exception of electronic equipment (which are warranted for 1 year) are covered under this warranty to the original owner. On painted doors, painted finish shall be warranted for five years from peeling or blistering. Damage due to accidents or external causes are not warranted.

Quote Request:

Refer to page 60 for the Gortite Aluminum Roll-Up Door Quote Request Form.

RELATED PRODUCTS

More information is available on our website, Dynatect.com.



Fold Down Compartment Step



LED Compartment Lighting



Hose Bed Cover

GORTITE® ROLL-UP DOORS | QUOTE REQUEST FORM

Date _____ Address _____
 Company Name _____ City _____ State/Prov. _____
 Contact _____ Country _____ Zip/Postal Code _____
 Quantity _____ Telephone _____ Fax _____
 Date Required _____ Email _____
 Reference _____ Quantity _____ Compartment _____

1. Cabinet Dimensions

Compartment:

--	--	--	--	--	--

DOW:

--	--	--	--	--	--

DOH:

--	--	--	--	--	--

HH:

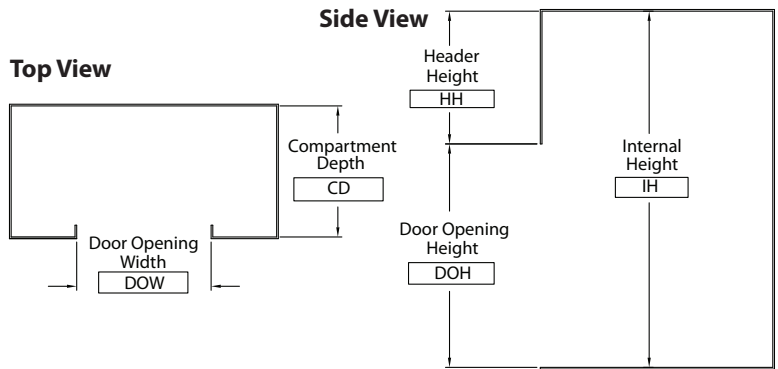
--	--	--	--	--	--

IH:

--	--	--	--	--	--

CD:

--	--	--	--	--	--



2. Door Requirements

Door Finish: Satin Anodized
 Mill Finish (for painting by customer)
 Wet Painted
 Door Only
 Door and Trim
 Handle/Finger Rail
 Paint Specification: _____

Roller Location: Front of Compartment
 Rear of Compartment

Side Rail: Standard Recessed Universal P-Series R-Series

Pre-Drilled Mounting Holes in Side Rails:
 Yes
 Pattern by Dynatect
 Pattern by Customer (please attach drawing)

Top Drip Rail:
 Yes Standard Length
 Customer Length
 Qty: _____ Length: _____
 No

3. Options

Still Plate: Yes: Standard Universal
 No

Manual Key Lock: Yes No

Key Type: J236 1250

Magnetic Door Ajar Switch:
 Yes: Switch on Right Side Facing Door
 Switch on Left Side Facing Door
 Ship Loose
 Ground: Pos Neg
 No

Pull Strap (for tall doors): Yes No

Pull Lock (requires manual lock):
 Yes: Lock on Right Side of Door
 Lock on Left Side of Door
 Lock on Both Sides of Door (36" or wider)
 No

Cabinet Lights:
 Yes Lights on Right Side of Door
 Lights on Left Side of Door
 Lights on Both Sides of Door
 Ship Loose
 No